



MID:COM
MIDWEST COMPUTER REGISTER CORP.

SYSTEM & PARTS CATALOG
for
Model 6501; 6501B; 8000
and Smartlink SLS

MID:COM

MIDWEST COMPUTER REGISTER CORP.

1605 170th Street, P.O. Box 376
Hampton, Iowa 50441

MANUFACTURES OF ELECTRONIC FUEL REGISTERS

Phone: (641) 456-5205 & (641) 456-4848

Fax: (641) 456-4600

TO: MID:COM DISTRIBUTORS

RE: SALES POLICY, GENERAL ORDERING INFORMATION, PRICE LISTS

1. **TERMS:** See contract Schedule 'A'.
2. **SHIPPING CHARGES:** Shipments are FOB Hampton, Iowa.
3. **CANCELLATION CHARGES:** MID:COM will invoice the customer for ten percent (10%) of the value of any order which is cancelled after formal acknowledgement and prior to shipment by MID:COM.
4. **RESTOCKING CHARGE:** MID:COM will apply a fifteen percent (15%) restocking charge to items returned for credit, provided that MID:COM has authorized the return and the goods are in resaleable condition. All returns must be authorized by MID:COM and shipped freight prepaid; all returns must be marked clearly on the shipping label.
5. **DISCOUNTS:** See Contract Schedule 'A'.
6. **ORDER INFORMATION:**

Systems: The 6501B Computer/Register Systems & 8000 Computer/Register Systems page reflects the more common configurations of computer/printers and registers. When ordering, specify the model number & software version of the computer and software version of the computer and register head. When in doubt, include type of meter, vehicle, etc., or call factory.

Adding Options such as:

Preset Controller – specify model number and type of valve to be used.
Shift Print.
Example: 902-0008 6501B/RHG0012-1 Actuated-Compensated (Propane)

Parts:
Minimum \$100.00 list.
Order by part number and description.

THE FOLLOWING COMPONENTS MUST BE SPECIFIED AS 'POSITIVE GROUND' WHEN ORDERING:

1. Computer/Printer
2. Power Cable
3. Register Cable
4. Remote Readout Transmitter
5. Preset Controller
6. Dual Register Adapter

NO SPECIFICATION INDICATES STANDARD NEGATIVE GROUND COMPONENTS.
INCORRECT CONNECTION AUTOMATICALLY VOIDS WARRANTY.

MID:COM 8000 COMPUTER REGISTER SYSTEM



Features:

- Upload and download of customer information from office computer.
- 4 line LCD display
- Adjustable printer prints up to 6 copies
- Available to print and display in different languages
- Programmable for different currencies
- Integral preset capability
- Integral dual register capability

Included Accessories:

- Aluminum mounting pedestal
- Power cable – 14 ft. standard
- Register cable – 35 ft. standard
- Mounting hardware, installation and operating instructions

Options (see following page for details):

- Datacard interface adapter
- Datacards
- Odometer sensor
- Electromechanical actuator
- Remote readout
- Solenoid security/preset valves
- Register mounting adapters
- Serial Communication

MODEL 8000 OPTIONS



Data Card Interface Adapter Kit Model 801

Connects to any PC and allows uploading and downloading of customer information to the datacard. Includes power supply and RS-232 cable.

(See page 34)



Datacard

Two sizes of datacards hold up to 250 customers (1 MB) and 1000 customers (4 MB).

(See page 34)



Solenoid Valve (Propane Meter) Model SV-101

3-way stainless steel valve control meter differential valve. Allows for preset volume deliveries of propane.

(See page 35)



Solenoid Valve 2" Two-Stage Model SV-104

"Soft closure" valve eliminates plumbing shock. Provides precise accuracy for preset deliveries of refined fuels.

(See page 30)



Solenoid Valve 2" Two-Stage (Brooks) Model BV-188

For use on refined fuel up to 150 psi. Allows for precise adjustable preset shutdown.

(See page 32)

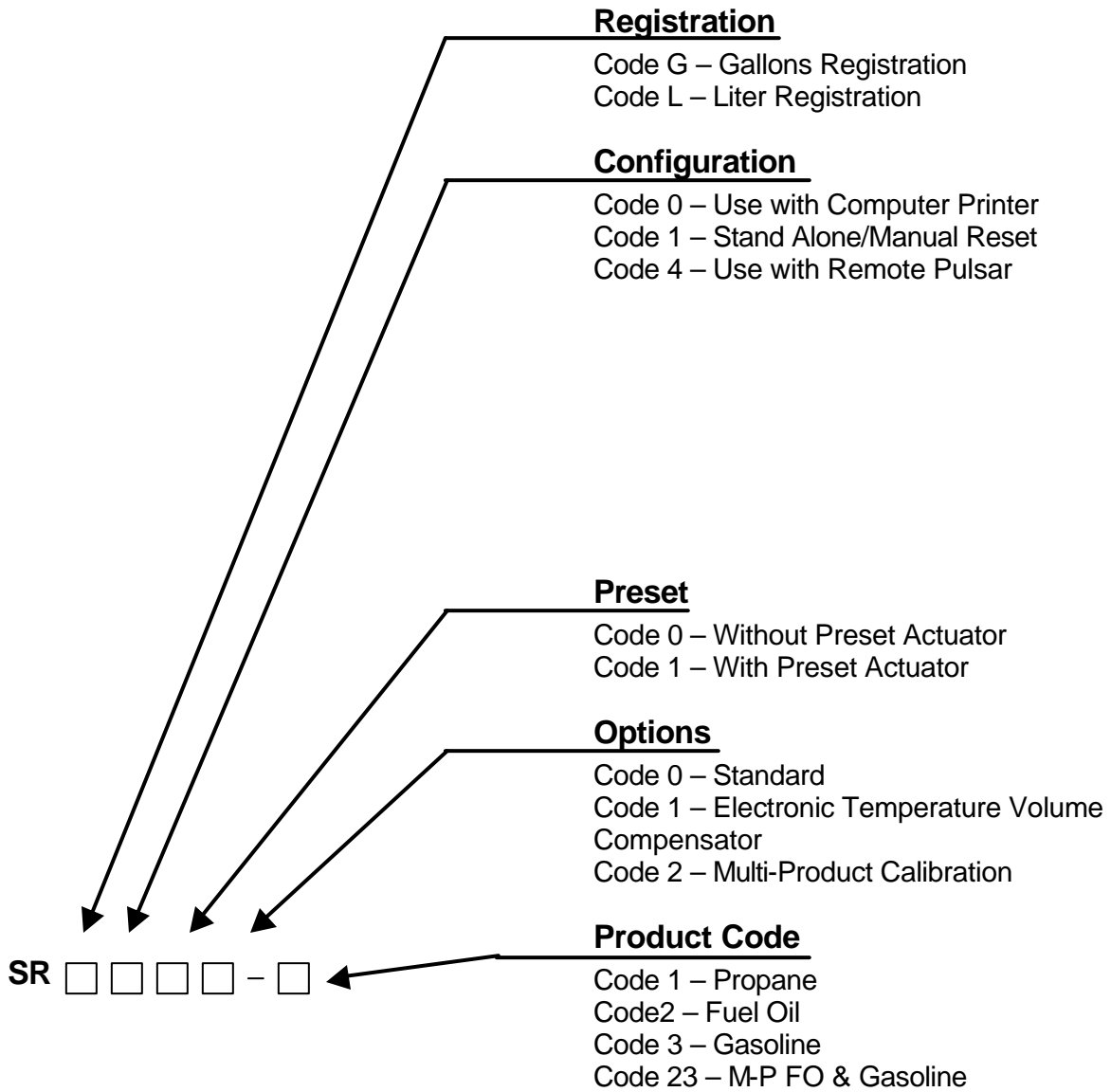


Register Mounting Adapters Models VR-1;2;3;4

Various adapters convert the standard MID:COM "Neptune" mounting to other meter types.

(See page 35)

8000 REGISTER HEAD NUMBERING SYSTEM



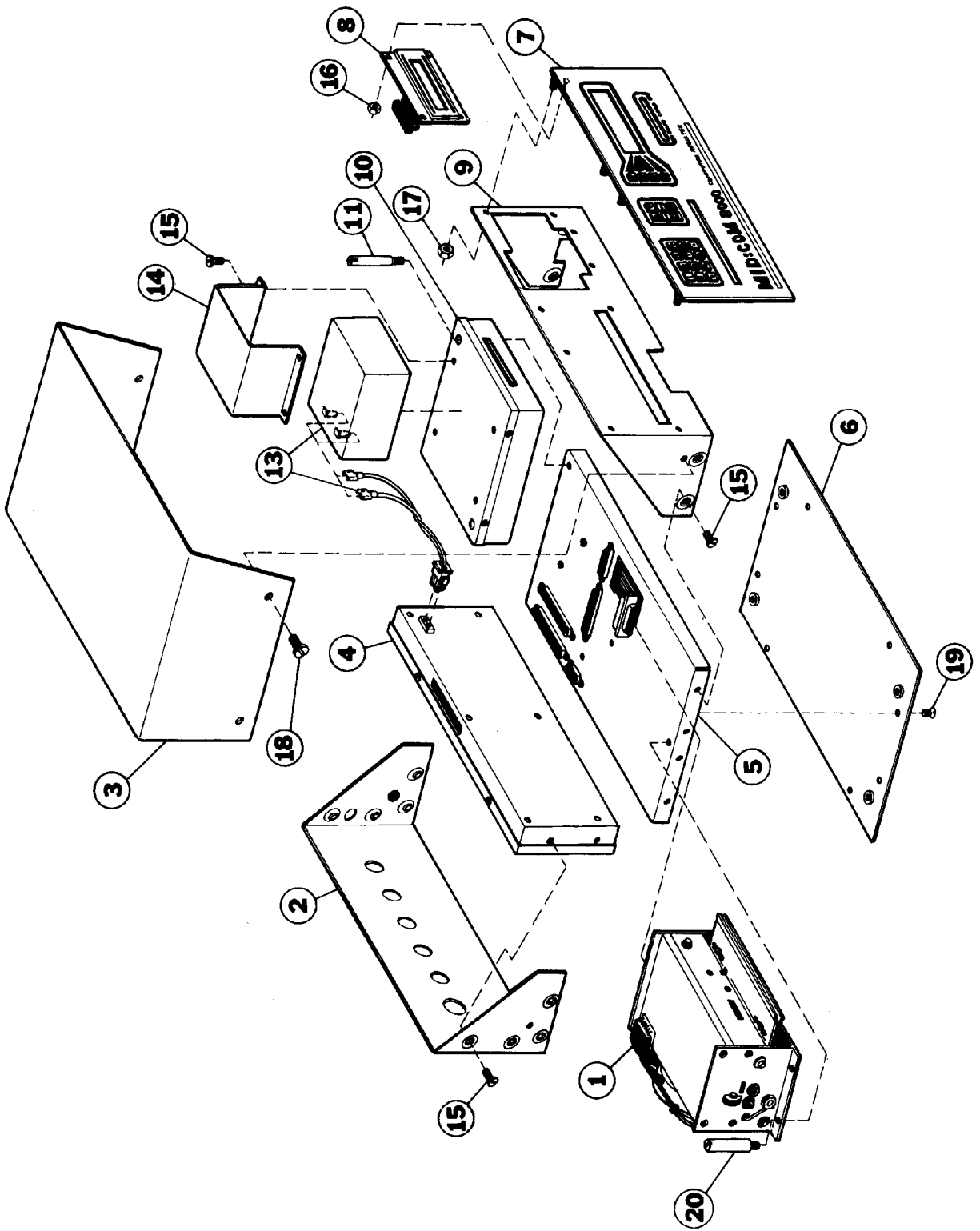
8000 COMPUTER/REGISTER SYSTEMS

Part #	Description
902-0013	8000/SRG000 Standard
902-0014	8000/SRG001-X Compensated
902-0015	800/SRG010 Actuated
902-0016	8000/SRG011-X Compensated/Actuated
902-0017	8000/SRL000 Standard
902-0018	8000/SRL001-X Compensated
902-0026	8000/SRL002-XX Compensated M-P

X = Compensated Product

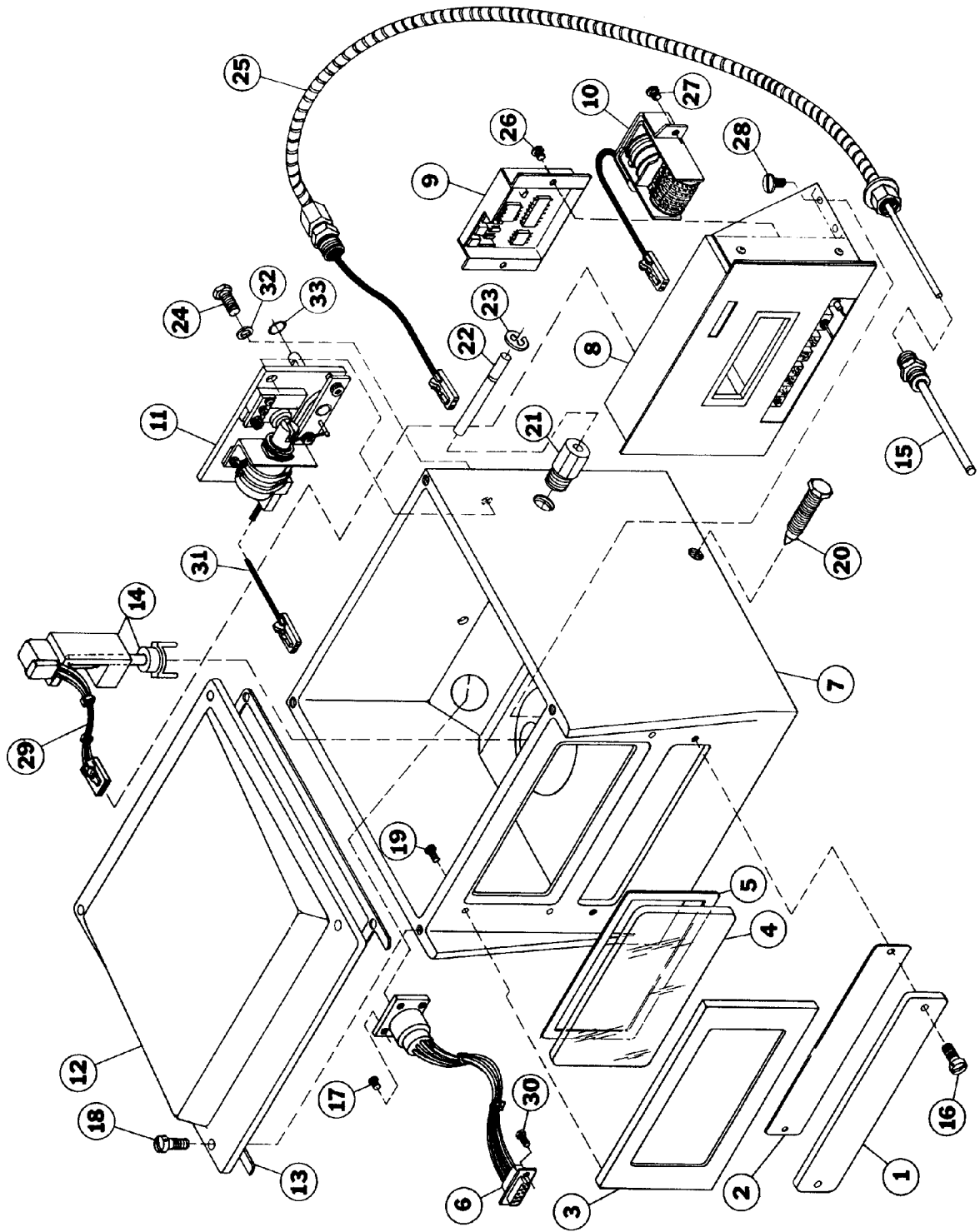
1 = Propane; 2 = Fuel Oil; 3 = Gasoline

Above P/N's include: Computer Printer, Register Head w/35 ft. Cable, 14 ft. Power Cable, Mounting Pedestal and Installation Hardware.



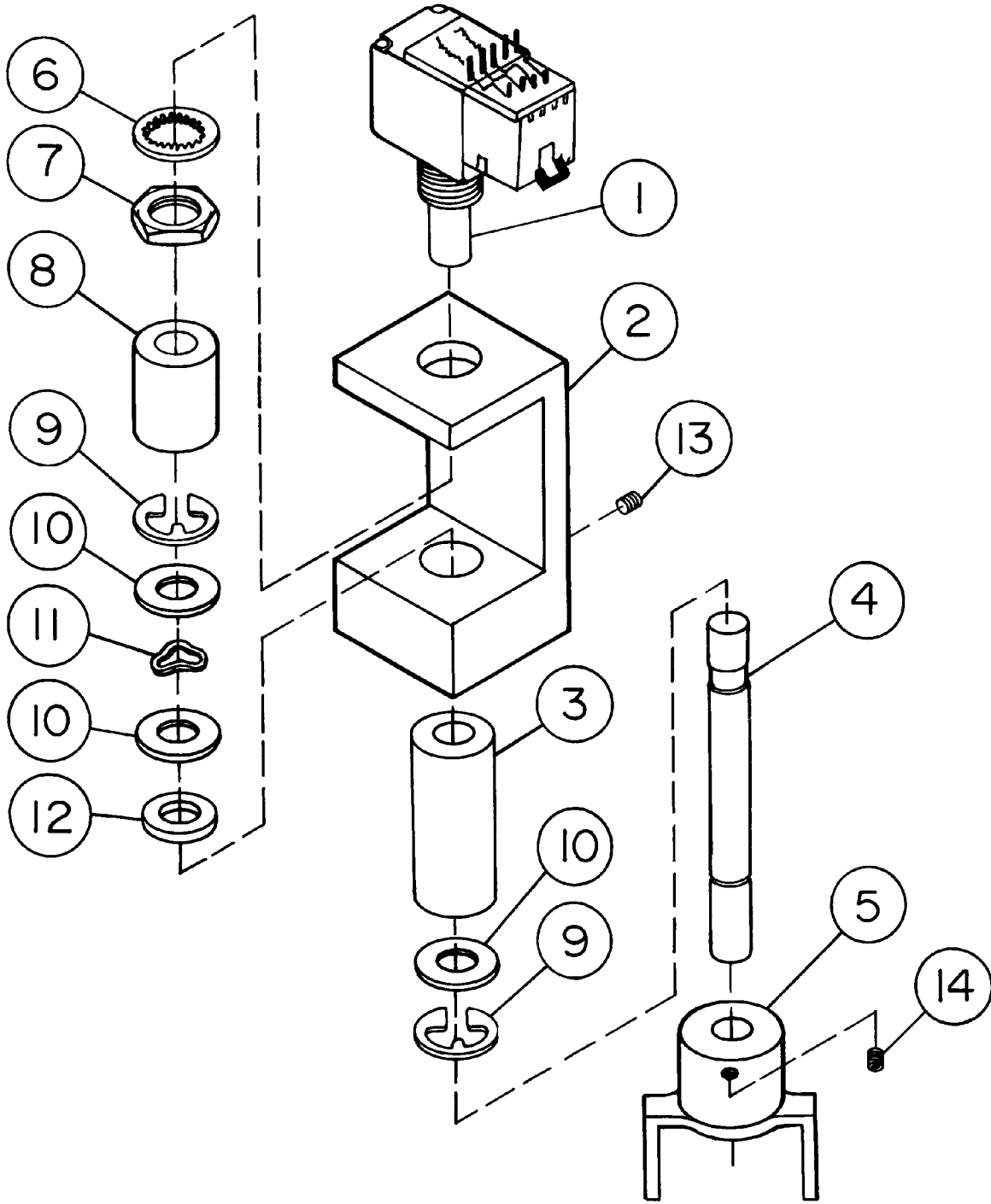
MID:COM 8000 COMPUTER PARTS LIST

Item #	MID:COM Part #	Description
1	706-0002	8000 Printer Assembly
2	201-0026	8000 Back Panel
3	201-0029	8000 Computer Cover
4	707-0006	8000 Power Module
5	709-0003	8000 Chassis Assembly
6	201-0034	8000 Base Plate
7	706-0008	8000 Keyboard Assembly
8	707-0005	8000 Display Module
9	201-0025	8000 Front Panel
10	707-0007	8000 CPU Module
11	300-0085	CPU Mounting Stud (2)
13	706-0009 701-0034	8000 Battery Assembly Battery Wire Harness
14	201-0048	Battery Bracket
15	300-0030	6-32 x ¼ " Screw
16	301-0011	2-56 Nut
17	301-0001	6-32 Nut
18	300-0065	8-32 x ¼" Screw
19	300-0078	6-32 x 3/8" Screw
20	300-0020	Slotted Printer Mounting Stud (2)



MID:COM 8000 REGISTER HEAD PARTS LIST

Item #	MID:COM Part #	Description
1	202-0038	Calibrator Cover
2	206-0004	Calibrator Gasket
3	202-0037	Display Bezel
4	202-0034	Display Lens
5	206-0003	Lens Gasket
6	701-0001	Register Harness
7	200-0001	Lower Register Housing
8	707-0004	Register Module
9	707-0008	Temperature Compensator Module
10	701-0035	Totalizer Assembly
11	706-0003	Actuator Assembly (see page 28)
12	200-0001	Register Housing Cover
13	206-0002	Cover Gasket
14	712-0004	Encoder Assembly (see page 10)
15	705-0021	Probe Thermowell Assembly
16	300-0084	10-32 x 5/8" Seal Screw
17	300-0051	4-40 x 1/2" Screw
18	300-0084	10-32 x 5/8" Seal Screw
19	300-0007	6-32 x 7/16" Pan Head Screw
20	202-0006	Register Mounting Bolt
21	202-0055	Actuator Trip Bushing
22	202-2018	Actuator Stop Rod
23	308-0008	1/4" "E" Ring
24	300-0060	1/4-20 x 3/4" Actuator Bolt
25	701-0049	Temperature Compensator Probe Assembly
26	300-0043	6-32 x 3/16" Screw
27	300-0053	6-32 x 1/4" Screw
28	300-0056	8-32 x 3/8" Screw
29	701-0036	Encoder Wire Harness
30	300-0049	4-40 x 3/16" Screw
31	701-0048	Actuator Wire Harness
32	303-0034	Sealing Washer
33	203-0024	Actuator Shaft O-Ring
Not Shown	702-0002	Register Cable



ENCODER BRACKET PARTS LIST

Item #	MID:COM Part #	Description
1	800-0001	Encoder Assembly
2	202-0001	Encoder Bracket
3	204-0009	Oilite Bearing
4	202-0002	Encoder Drive Shaft
5	705-0012	Drive Fork Assembly
6	Washer	Comes w/Encoder
7	Nut	Comes w/Encoder
8	207-0012	Rubber Coupling
9	308-0008	¼" "E" Ring
10	303-0033	Shim Washer (3 pcs.)
11	303-0019	Wave Washer
12	204-0008	Bushing
13	300-0008	8-32 x ¼" Set Screw (2 pcs.)
14	300-0008	8-32 x ¼" Set Screw (2 pcs.)
15	308-0016	"E" Clip

MID:COM 6501B COMPUTER REGISTER SYSTEM



Features

- Time and date stamp
- Pricing from \$0.000 to \$9.999
- Taxation from 0.00 to 9.99% or \$1 unit (other options available)
- Displays 9999.9 units maximum
- Printer adjustable for ticket width, depth and line spacing
- Computer calibrates meter in single meter installations
(dual equipped truck require calibrators in the registers if used on Neptune meters)

Included Accessories

- Aluminum mounting pedestal
- Power cable – 20 ft. standard
- Register cable – 40 ft. standard
- Mounting hardware, installation and operating instructions

Options (see following page for details)

- Dual register adapter
- Electronic preset controller
- Electromechanical actuator
- Register calibrator
- Electronic temperature compensators
- Remote readout
- Solenoid security/preset valves
- Register mounting adapters

MODEL 6501B OPTIONS



Dual Register Adapter Model DRA65

Mounts on or near computer unit and allows for two registers to be controlled by a single computer. (Only one meter may deliver at a time)

(See page 23 & 24)



Electronic Preset Controller Models EPS 101, 102, 103, 104

The preset controller allows deliveries to automatically shut down at a predetermined volume up to 9999 units. Controls the electromechanical actuator for existing mechanical valves, or one of the optional solenoid valves, in a single or two stage shutdown.

(See page 25 & 26)



Solenoid Valve (Propane Meter) Model SV-101

3-way stainless steel valve control meter differential valve. Two configurations allow cabling to the register head for simple security applications, or the computer for ticket interlock.

(See page 34)



Solenoid Valve 2" Two-Stage Model SV-104

"Soft closure" valve eliminates plumbing shock. May be cabled for preset application, or for use with ticket interlock.

(See page 30)



Solenoid Valve 2" Two-Stage (Brooks) Model BV-188

For use on fuel oil and gasolines up to 150 psi. Allows for very precise preset shutdown used with Model EPS 103 preset controller.

(See page 32)



Register Mounting Adapters Models VR-1;2;3;4

Various adapters convert the standard MID:COM "Neptune" mounting to other meter types.

(See page 35)

6501B COMPUTER/REGISTER SYSTEMS

Part #	Description
902-0001	6501B/RHG0000 Standard
902-0002	6501B/RHG0001 Calibrated
902-0003	6501B/RHG0002-2 Compensated
902-0004	6501B/RHG0003-2 Calibrated-Compensated
902-0005	6501B/RHG0010 Actuated
902-0006	6501B/RHG0012-2 Actuated-Compensated
902-0007	6501B/RHG0013-2 Calibrated-Compensated-Actuated
902-0008	6501B/RHG0012-1 Actuated-Compensated
902-0009	6501B/RHG0013-1 Calibrated-Compensated-Actuated
902-0010	6501B/RHG0002-1 Compensated
902-0011	6501B/RHG0003-1 Calibrated-Compensated
902-0012	6501B/RHG0011 Calibrated-Actuated
902-0022	6501B/RHG0002-3 Compensated
902-0023	6501B/RHG0003-3 Calibrated-Compensated
902-0024	6501B/RHG0012-3 Actuated-Compensated
902-0025	6501B/RHG0013-3 Calibrated-Compensated-Actuated

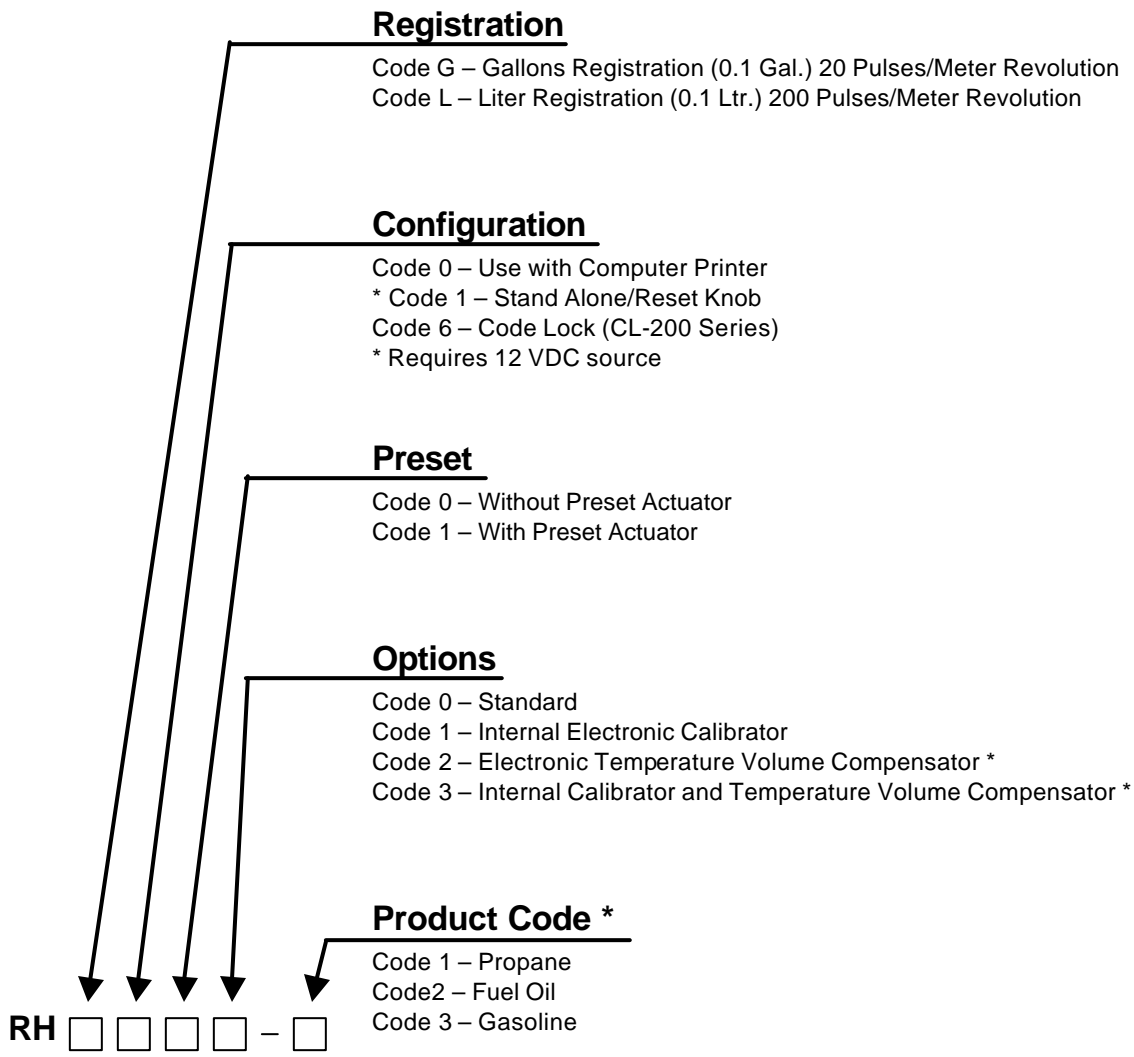
-1 = Propane -2 = Fuel Oil -3 = Gasoline

Above P/N's Include: Computer Printer, Register Head w/40 ft. Cable, 20 ft. Power Cable, Mounting Pedestal and Installation Hardware.

Standard Features

- Ticket Interlock for Use with Solenoid Valve
- Elapsed Time Printout
- Date/Time Printout
- Non-Resetting Sequence Number
- Pricing Up to \$9.999 per Unit

6501 REGISTER HEAD NUMBERING SYSTEM

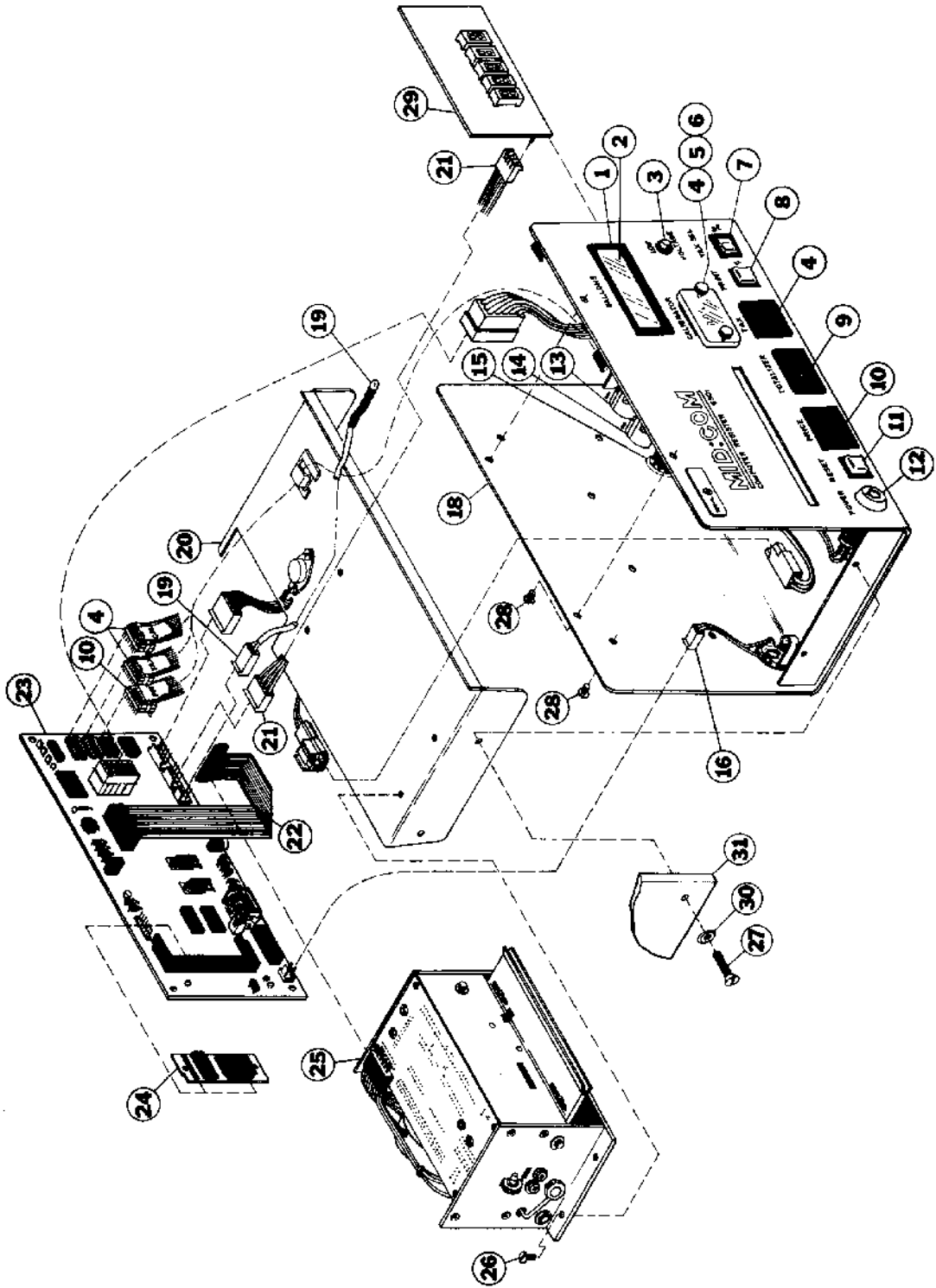


MID:COM REGISTER HEAD CONFIGURATIONS

Register Model #	Configurator #	Description
RHX-0XX0	1	Standard Register
RHX-1XX0	2	* Stand-Alone Register
RHX-0XX1	3	Calibrated Register
RHX-0XX2-X	4	Compensated Register
RHX-0XX3-X	5	Calibrated-Compensated Register
RHX-1XX1	6	* Calibrated Stand-Alone
RHX-1XX2-X	7	* Compensated Stand-Alone
RHX-1XX3-X	8	* Calibrated-Compensated Stand-Alone

* Reset Knob w/Electro-Mechanical Totalizer

Specify Configurator # When Ordering Replacement Head Board



6501B PARTS LIST

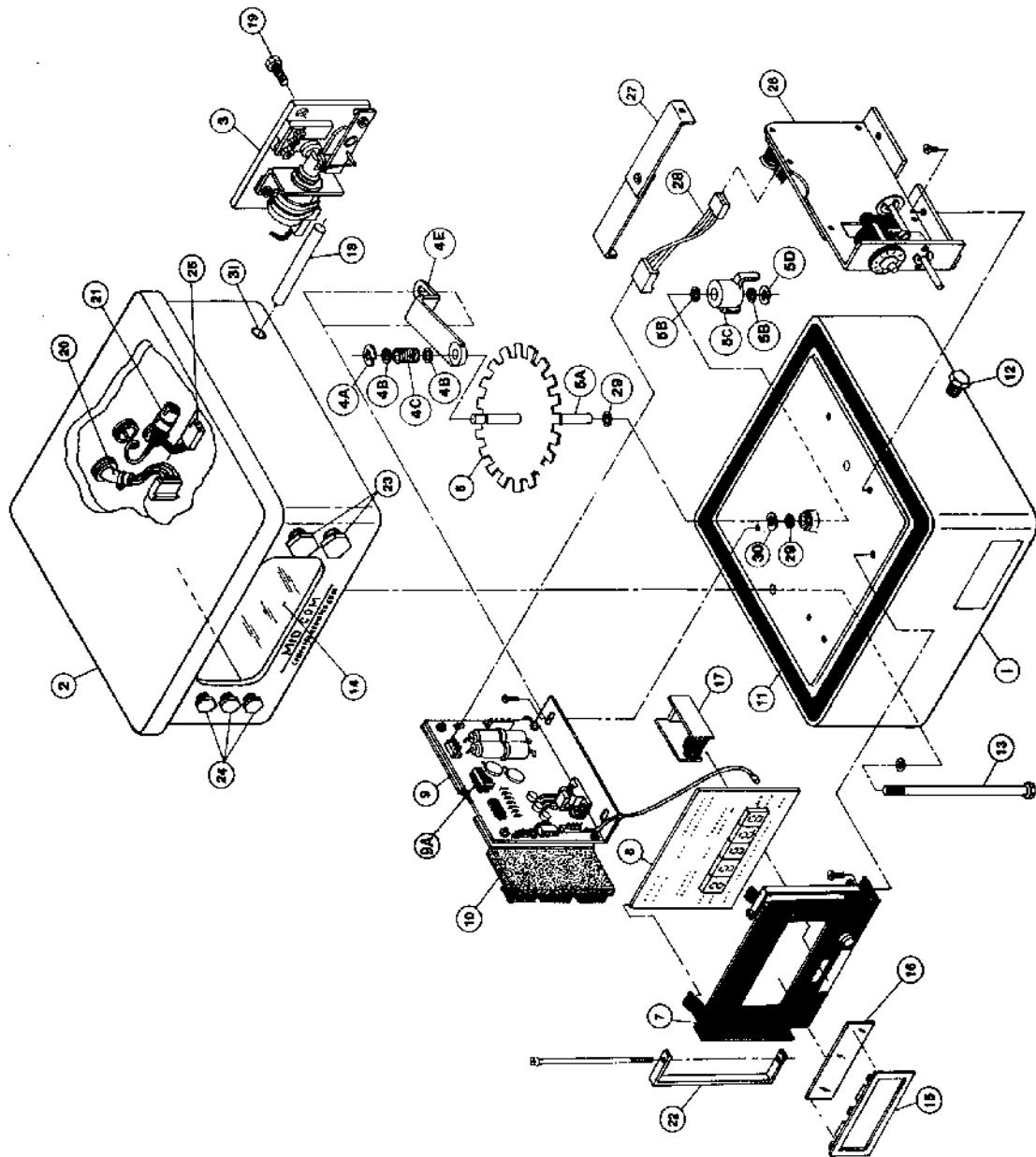
(S/N 4600 and Up)

Item #	MID:COM Part #	Description
1	203-0002	Display Bezel
2	203-0003	Filter Lens
3	203-0007	LVI Lens
4	703-0007	3 Digit Thumbwheel (2)
5	202-0032	Calibrator Cover
6	300-0036	Calibrator Screws (2)
7	701-0009	Tax Switch Assembly
8	701-0010	Print Switch Assembly
9	701-0060	Totalizer
10	703-0008	4 Digit Price Thumbwheel
11	701-0011	Reset Switch Assembly
12	701-0008	Key Switch Assembly
13	701-0007	Register Connector Assembly
14	701-0006	Power Connector Assembly
15	122-0002	Circuit Breaker
16	701-0005	T/I Harness Assembly
18	201-0035	Cabinet
19	702-0003	LVI Harness
20	709-0001	Chassis Assembly
21	701-0004	Display Harness 6501
22	703-0005	Printer Cable Assembly
23	800-0010	Main Board
24	707-0027	Sipstik Module (Specify Version)
25	706-0002B	6501B Printer Assembly
26	300-0054	Printer Screw (4)
27	300-0045	Cover Screw (4)
28	300-0030	6-32 x 1/4" Screws (10)
29	800-0007	DX-020 Display Board
30	303-0020	#6 Cup Washer (4)
31	705-0019	Cover

6501B SOFTWARE VERSIONS

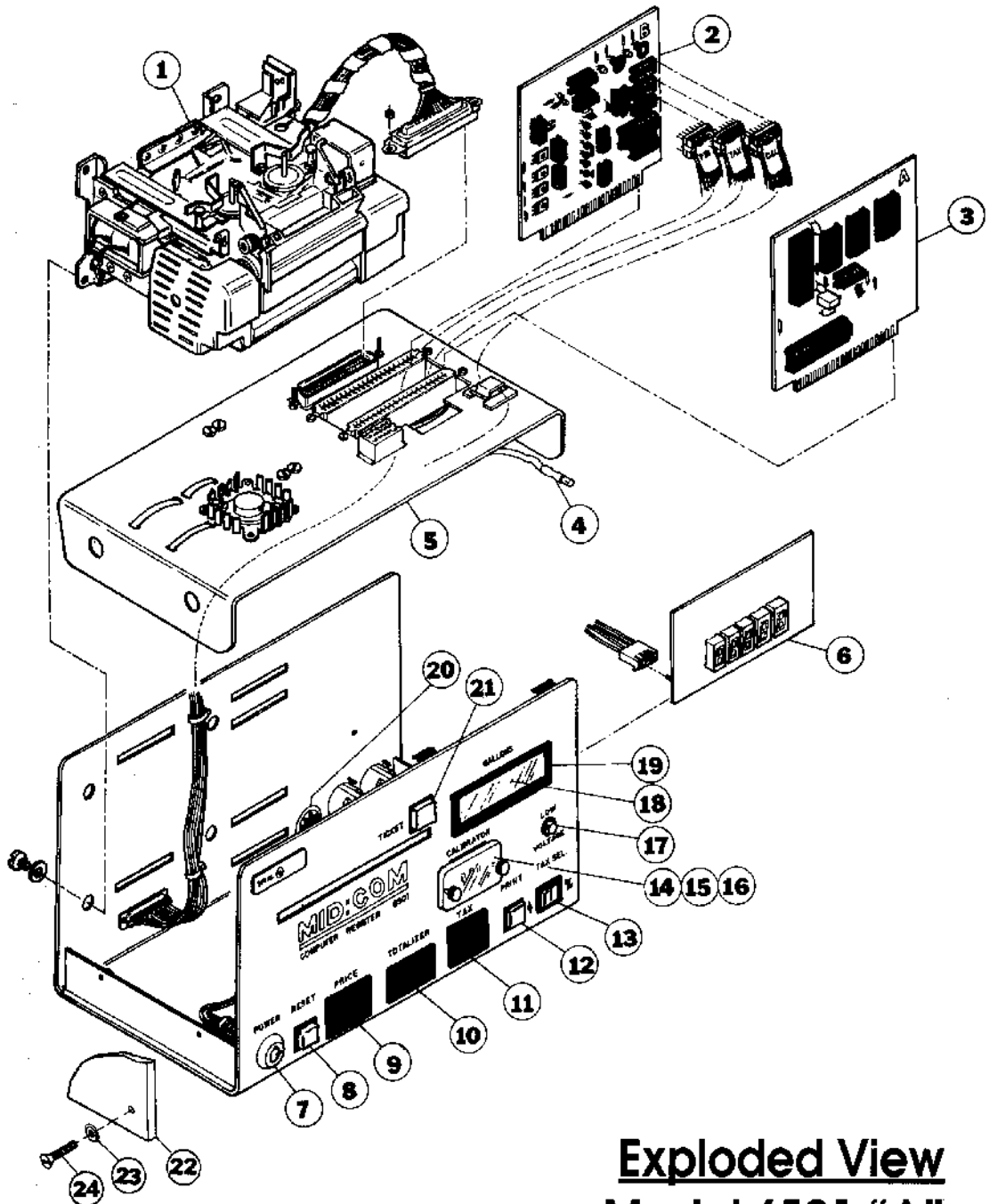
Version 15	Standard Computer Operation
Version 16	Subtracts Tax in Either \$ or % Mode
Version 17	Shifts Decimal in Tax One Place Left (X.XX) In Both \$ or % Mode
Version 18	Whole Gallons On Display and Ticket All Calculations Suppressed (Load Rack Applications)
Version 19	Same As Version 15 but Shifts All Print Except Time/Date 7 Columns to the Left (Shifted Print)
Version 20	Shifts Decimal in Percent Tax Mode One Place Left Cents/Gallon Remains as XX.X. % is X.XX
Version 21	Prints Date and Time as the Last Line on the Ticket
Version 22	Does Not Print Date and Time
Version 23	Prints Start Time and Date, Gallons Start, Gallons Finish, Sequence #, and Finish Time and Date. All Calculations Suppressed
Version 24	Combination of Versions 19 & 20 Shifts Print and Tax Decimal for X.XX in % Mode

Please specify Version when placing an order for a complete system or mainboard.



6501 REGISTER HEAD PARTS LIST

Item #	MID:COM Part #	Description
1	704-0001	Register Base
2	704-0002	Plain Register Cover
	704-0003	Calibrated Register Cover
	704-0004	Compensated Register Cover
	704-0005	Calibrated-Compensated Register Cover
	704-0006	Actuated Register Cover
	704-0007	Compensated-Actuated Register Cover
	704-0008	Calibrated-Compensated-Actuated Register Cover
	704-0009	Calibrated-Actuated Register Cover
3	706-0003	Actuator Assembly
4	708-0007	Damper Bracket Assembly (Includes Items 4A-4E)
5	708-0006	Driver Fork & Clutch Assembly (Includes Items 5A-5D)
6	705-0010	Pulser Wheel Assembly
7	201-0040	Display Mounting Bracket
8	800-0007	Display Board
9	800-0018	Head Board
9A	112-0054	Configurator (Specify Model #)
10	800-0030	Calibrated Head Board
11	206-0001	Cover Gasket
12	300-0040	Register Mounting Bolts (2)
13	300-0067	Register Cover Bolts (2)
14	202-0034	Register Lens
15	203-0002	Display Bezel
16	203-0003	Display Lens
17	705-0046	Mechanical Totalizer Assembly
	800-0014	Electromechanical Totalizer
18	202-0018	Actuator Stop Rod
19	300-0060	Actuator Mounting Bolt (2)
20	702-0004	Register Cable
21	702-0011	Temperature Probe
<i>* Must be matched with Compensator Board</i>		
22	708-0022	Display Bracket Clamp
23	300-0069	Nylon Seal Plugs (2)
24	300-0068	Nylon Seal Plugs (3)
25	702-0007	Actuator Cable
26	800-0008-X	ETVC Board
	X = 1 Propane; X = 2 Fuel Oil; X = 3 Gasoline	<i>Includes Temperature Probe</i>
Not Shown	708-0010	Compensator Retro Fit Kit
27	201-0064	Brace Bracket
28	701-0022	Jumper Assembly
29	303-0010	Shim Washer (2)
30	303-0024	Wave Washer
31	204-0007	Actuator Rod Bushing



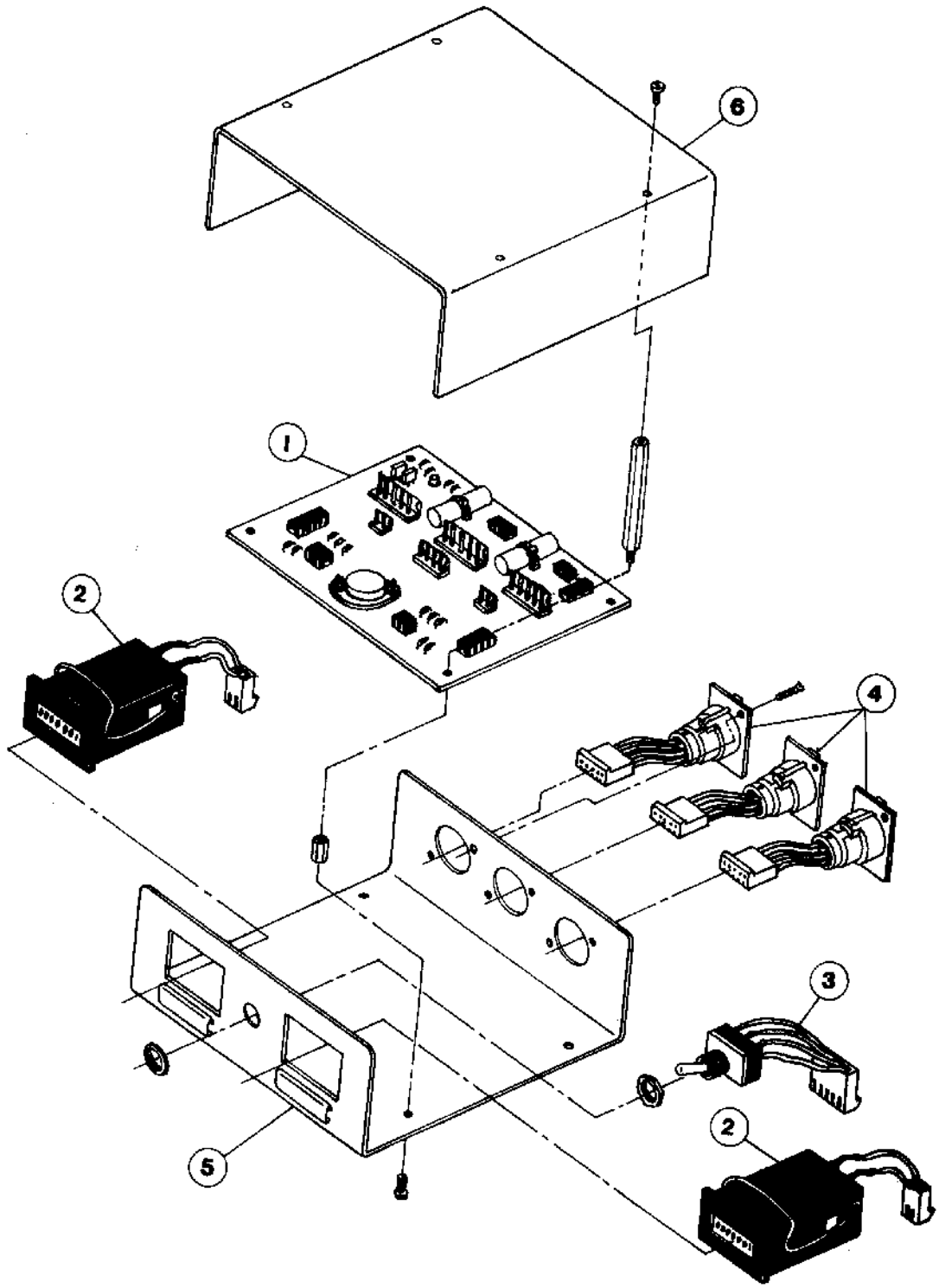
Exploded View
Model 6501 "A"

6501A PARTS LIST

(S/N Up to 4599)

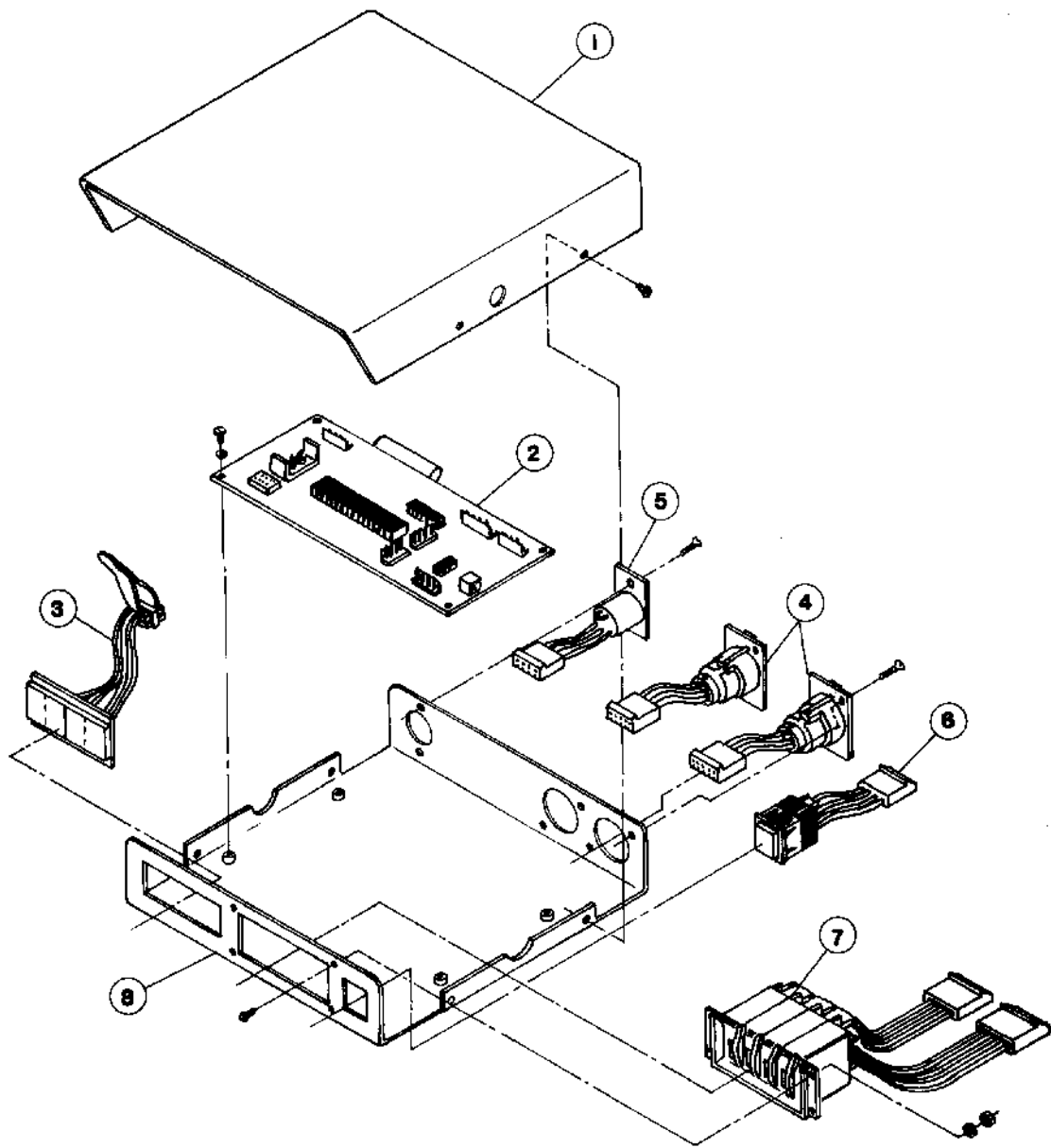
Item #	MID:COM Part #	Description
1	706-0010	* Printer Assembly
2	800-0016	"B" Board Assembly
	800-0029	"B" Board w/ETP Assembly
	800-0021	ETP Board Assembly
3	800-0013	"A" Board Assembly
	800-0031	"A" Board w/BBM Assembly
	106-0043	Custom Tax Prom
4	800-0009	LVI Board Assembly
5	709-0002	* Chassis Assembly
6	800-0007	DX020 Display Board
7	701-0008	Key Switch Assembly
	109-0016	Keys (Set of 2)
8	701-0011	Reset Switch Assembly
9	703-0008	Price Thumbwheel Assembly
10	701-0060	Totalizer Assembly
11	703-0007	Tax Thumbwheel Assembly
12	701-0010	Print Switch Assembly
	111-0003	Print Switch Blub
	109-0013	Print Switch Cap
13	701-0009	Tax Switch Assembly
14	703-0007	Calibrator Thumbwheel Assembly
15	202-0032	Calibrator Cover
16	300-0036	Calibrator Seal Screw
17	203-0007	LVI Lens & Grommet
18	203-0003	Display Lens
19	203-0002	Display Bezel
20	112-0002	Circuit Breaker
21	701-0024	Ticket Switch Assembly
22	203-0004	Cabinet Cover
23	303-0020	Cup Washers
24	300-0045	Cover Screws

* No Longer Available



DUAL REGISTER ADAPTER PARTS LIST

Item #	MID:COM Part #	Description
	903-0002	Dual Register Adapter
1	800-0019	Dual Register Adapter Board
2	701-0026	Totalizer Assembly (2)
3	701-0025	Switch Assembly
4	701-0027	Rear Connector (3)
5	201-0054	Adapter Cabinet
6	201-0055	Adapter Cover
	702-0008	Jumper Cable
		(All DRA's include a 18' Jumper Cable)



ELECTRONIC PRESET CONTROLLER PARTS LIST

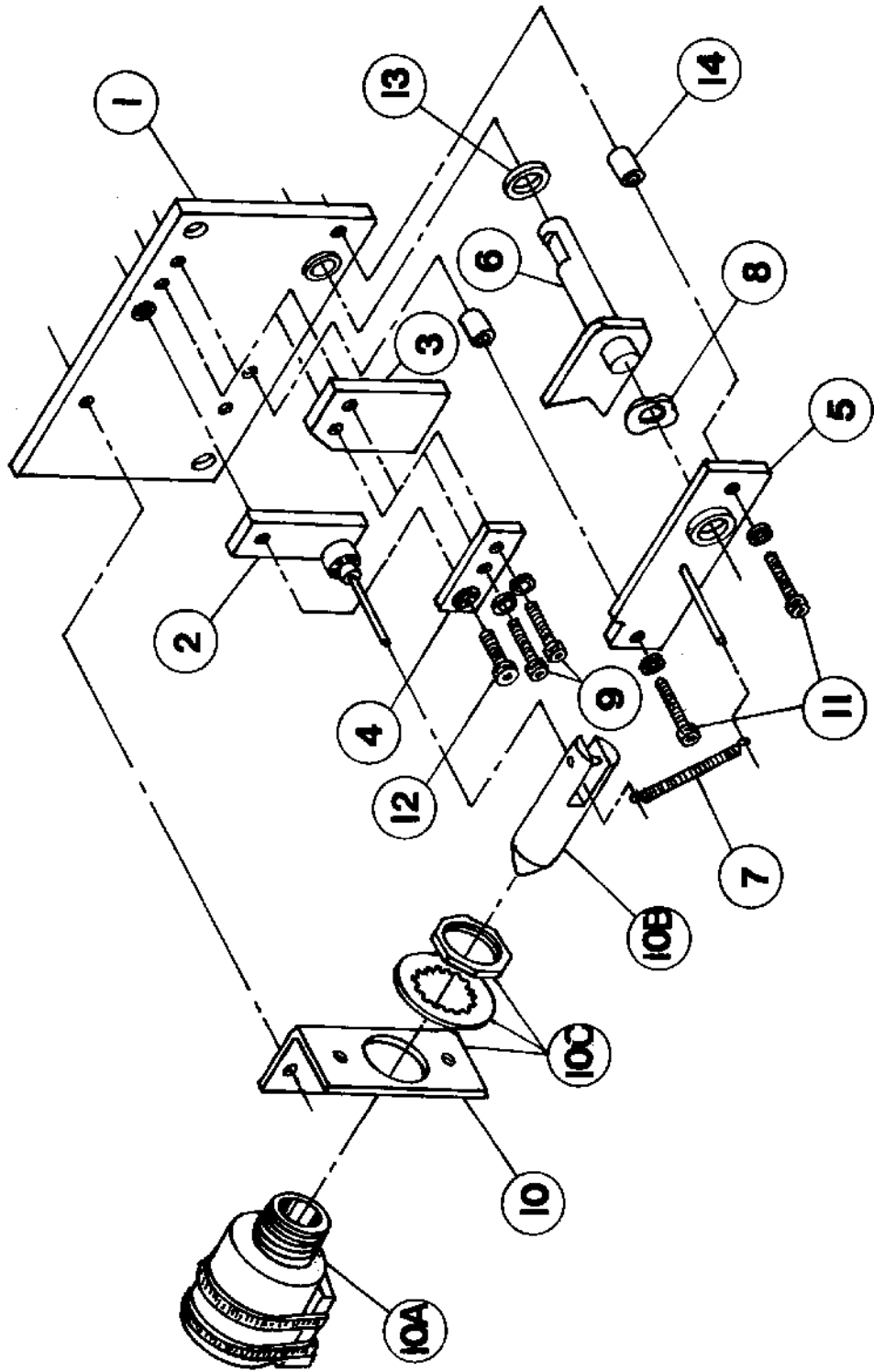
Item #	MID:COM Part #	Description
1	201-0049	Cover
2	800-0026	Preset Board
3	800-0042	Preset Display Assembly
4	701-0016	Cable Connector Assembly
5	701-0015	Actuator Connector Assembly
6	701-0014	Preset Switch Assembly
7	703-0009	Preset Thumbwheel Assembly
8	201-0049	Enclosure

Note: Parts Numbers not listed in Price List are not available as separate items.

Options:

903-0001	EPS 102 Two-Stage for use with Actuator
903-0012	EPS 101 Single-Stage for use with Actuator
903-0013	EPS 103 or 104 Two-Stage for use with Two-Stage Solenoid Valve
702-0020	6501 Valve Cable
702-0012	"Y" Cable Adapter for Ticket Interlock
702-0013	"Y" Cable Adapter for Dual Actuator
702-0008	Preset Jumper Cable

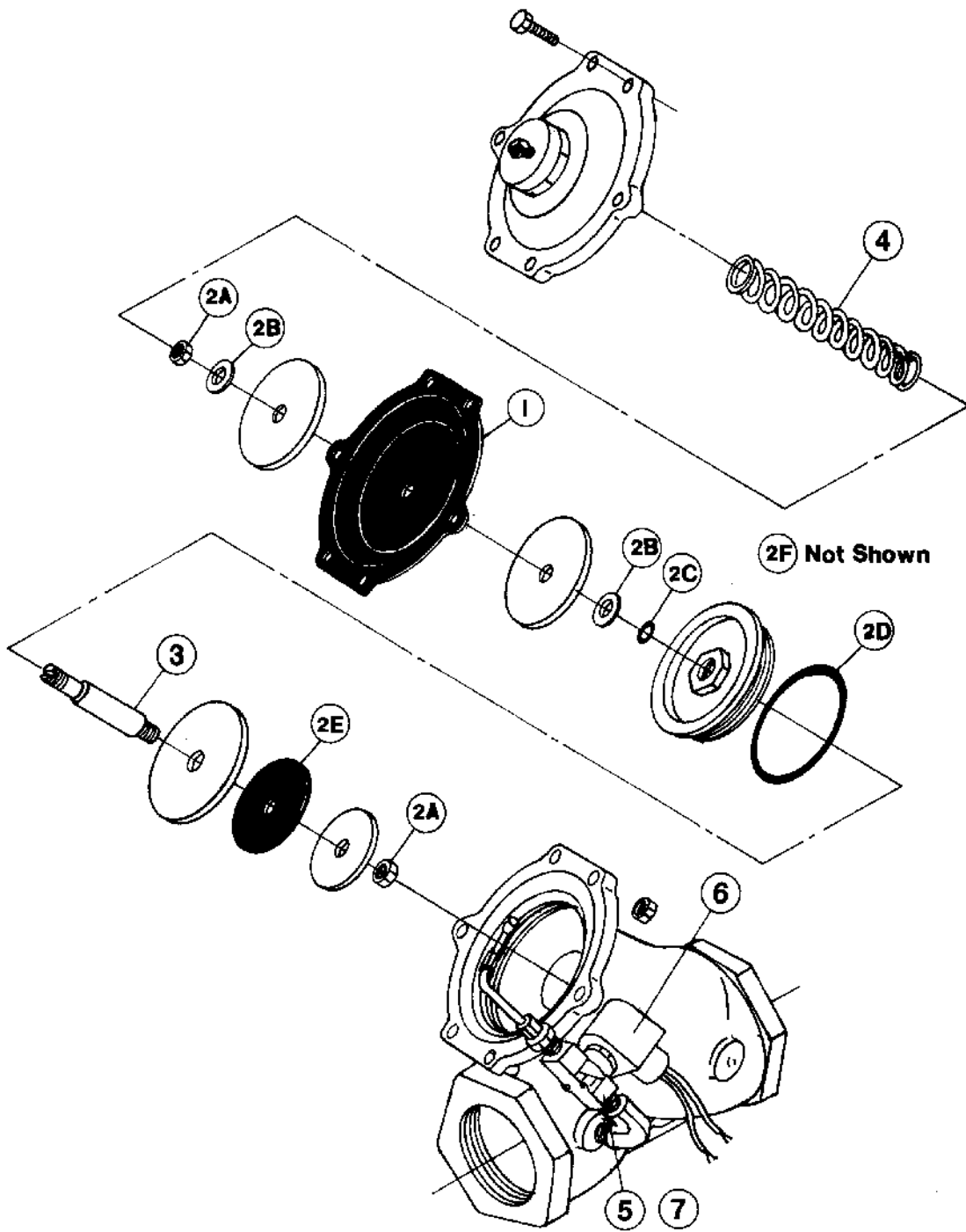
(All Presets include a Jumper Cable for Connection to Computer)



PRESET ACTUATOR PARTS LIST

Item #	MID:COM Part #	Description
1	705-0041	Actuator Plate "A" Assembly
2	705-0042	Actuator Plate "B" Assembly
3	202-0045	Actuator Plate "C"
4	705-0043	Actuator Plate "D" Assembly
5	705-0044	Actuator Plate "E" Assembly
6	705-0045	Actuator Plate "F" Assembly
7	307-0007	Actuator Spring
8	303-0032	Wavey Washer
9	300-0079	8-32 x 5/8" SHCS (2)
10	706-0016	Solenoid Assembly
	A	Solenoid with Connector
	B	Solenoid Slug
	C	Washer, Nut, Bracket
11	300-0080	8-32 x 7/8" SHCS (2)
12		Included with #4 Assembly
13	303-0031	Arbor Washer
14	305-0005	Spacer (2)

Note: Part Numbers not listed in the Price List are not available as separate items.

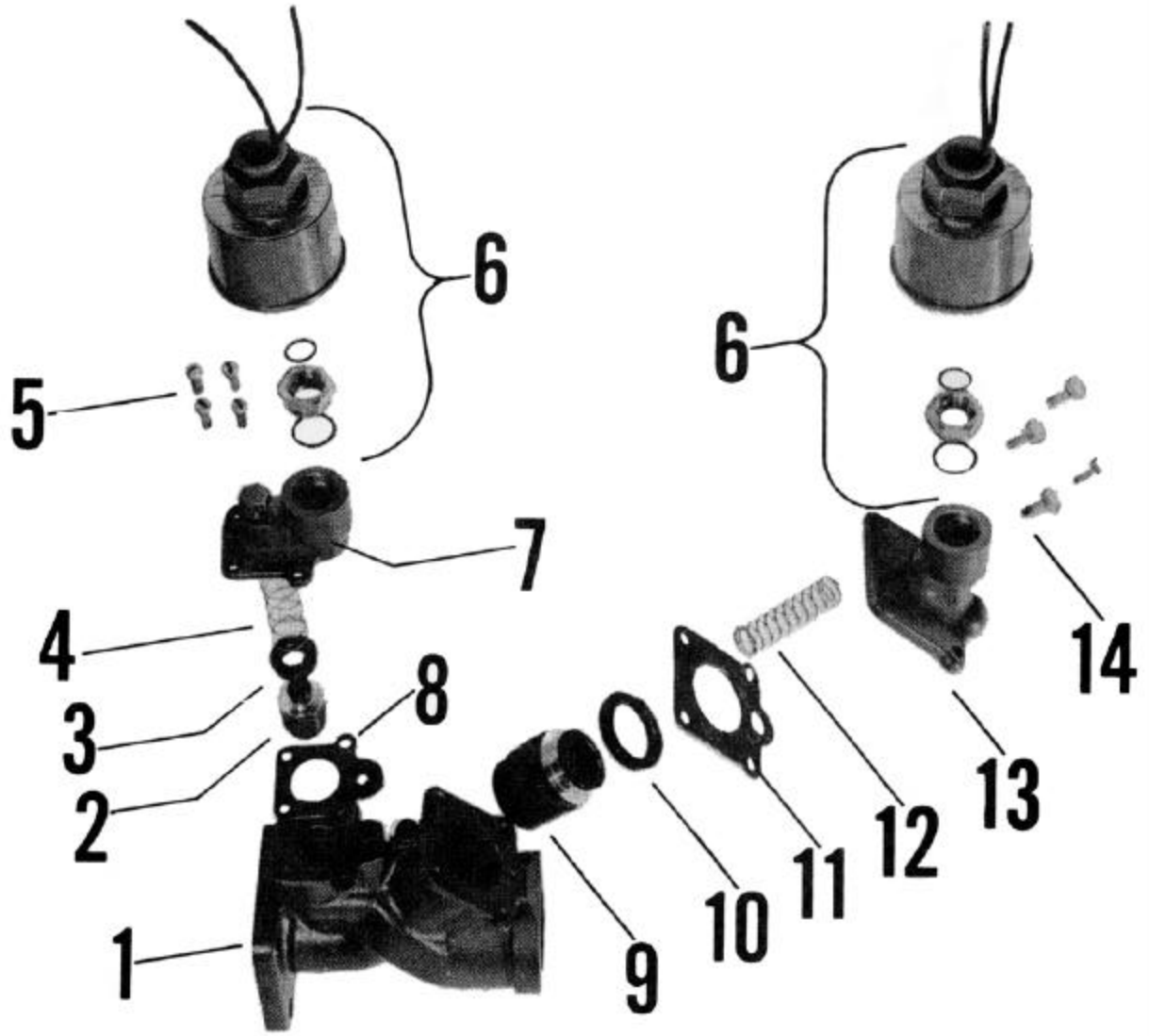


SV 103, 104 SECURITY PRESET VALVE

Item #	MID:COM Part #	Description
1	125-0045	Valve Diaphragm
2	125-0044	SV103 Repair Kit (Includes #1, 2A-2E)
3	125-0048	Valve Stem
4	125-0049	Spring
5	125-0042	Solenoid Valve Complete
6	125-0047	Solenoid Coil Only
7	125-0046	Solenoid Valve Repair Kit (Does Not Include Coil)
Not Shown	125-0063	Solenoid Valve w/Coil (2 nd Stage)

Options:

706-0017	8000 SV103
702-0031	Cable only for use with 8000 SV103, 104
706-0005	6501 SV103 Valve with Ticket Interlock
706-0007	6501 SV103 Valve Assembly
706-0020	8000 SV104
706-0022	6501 SV104
706-0025	SLS SV104
702-0020	Cable only for use with 6501 SV104
702-0045	Cable only for use with SLS SV104



BV 188 TWO-STAGE VALVE

Item #	MID:COM Part #	Description
2	125-0026	Small Piston
3	125-0027	Seal U-Cup Small Valve
4	125-0031	Spring Small Valve
6	125-0030	Solenoid
8	125-0024	Gasket Small Valve
9	125-0028	Large Piston
10	125-0029	Seal U-Cup Large Valve
11	125-0025	Cylinder Head Gasket
12	125-0032	Spring Large Valve

Options:

706-0023	6501 BV-188 Valve with Cable
706-0024	8000 BV-188 Valve with Cable
123-0023	BV-188 Valve Only
702-0020	Cable for use with 6501
702-0031	Cable for use with 8000

Note: When ordering a BV-188 Valve, you must specify which type of cable is needed.

KITS

MID:COM Part #	Description
708-0001	Valve Kit (for Neptune Auto Stop Valves) Prevents valve linkage from being thrown to the fully home position on 1 st stage trip. Included with all models RHX-XX1X and SRX-X1X registers.
708-0002	Display Bracket Clamp Kit Prevents undo vibration of display board installed with all model RHGXXX registers.
708-0010	6501 Compensator Retrofit Kit Kit #2 Fuel Oil
708-0011	6501 Compensator Retrofit Kit Kit #1 Propane
708-0017	8000 Compensator Retrofit Kit Specify 1-Propane; 2-Fuel Oil; 3-Gasoline
708-0018	8000 Odometer Sensor Cable (Only)
702-0025	8000 Sensor Cable (Only)
708-0024	6501 Compensator Retrofit Kit Kit #3 Propane
708-0040	8000 Serial Interface Update
708-0041	Printer Stop Switch Extension
708-0042	Strainer Cover Kit for 1-1/2" Neptune
708-0043	Strainer Cover Kit for 2" Neptune
708-0044	Strainer Cover Kit for M7 Liquid Controls
708-0045	Strainer Cover Kit for MA15 Liquid Controls

ACCESSORIES

MID:COM Part #	Description
702-0004	6501 Register Cable – 40 ft. Length
702-0005	6501 Power Cable – 20 ft. Length
702-0026	8000 Power Cable – 14 ft. Length
702-0002	8000 Register Cable – 35 ft. Length
706-0004	SV101 LPG Ticket Interlock Valve (6501)
702-0007	Actuator Cable
702-0012	6501 “Y” Adapter Cable for Ticket Interlock Accessories
903-0002	Dual Register Adapter – Adapts 2 register heads to one computer printer. For use with 6501B only.
702-0008	Jumper Cable – Only for Dual Register Adapter and Preset
903-0012	EPS101 Single-Stage for use with Actuator
903-0001	EPS102 Two-Stage for use with Actuator
903-0013	EPS103 or 104 Two-Stage for use with Two-Stage Solenoid Valve
702-0013	6501 “Y” Adapter/Cable for Preset/DRA
903-0026	Remote Readout – Hand Held Receiver Monitors Delivery in tenths of gallons and tenths of liters. 903-0036 for 8000
903-0028	Data Card Interface Adapter Kit Includes: RS232 Cable and DC Power Supply
903-0029	1 Megabit Data Card Holds up to 250 Transactions
903-0030	4 Megabit Data Card Holds up to 1000 Transactions
114-0089	RS232 Cable for use with Data Card Interface Adapter 9F-25M
124-0004	9V DC Transformer for use with Data Card Interface Adapter
903-0025	Transmitter 903-0037 for 8000
903-0024	Receiver
114-0023	Charger
114-0002	Antenna
117-0003	Remote Readout Battery Pack (Old Style)
117-0004	Remote Readout Batteries New Style 4 per pkg.
705-0016	6501 Thermowell
705-0017	6501 or 8000 Thermometer Well
705-0021	8000 Thermowell
705-0047	8000 Thermometer Well (Canadian)
903-0009	Pedestal Swivel Mounting with Braces
706-0006	SV101 LPG Security On/Off Valve (6501)
706-0015	SV101 LPG Valve Standard (8000)
706-0027	SV101 LPG Valve Standard (SLS)
903-0042	LCD Totalizer for use with SLP100

REGISTER MOUNTING ADAPTERS

MID:COM Part #	Description
903-0007	VR-1 Adapters Accepts all veeder-root gear plates for mounting to veeder-root style meters.
903-0008	VR-2 Yoke style input for mounting directly onto Smith Meters. (No mechanical preset)
903-0033	VR-3 (Formerly VR1-A Slotted shaft input for use with some 10:1 up/down drive gear plates.
903-0032	VR-4 For use on Neptune Meters to eliminate the mechanical temperature compensation adapter.

ADAPTER PARTS

MID:COM Part #	Description
204-0010	Ball Bearing
205-0002	Star Drive
300-0076	Register Stud
205-0004	39 Tooth Gear (Replaces 25 tooth gear on gear plate)
705-0015	VR-1 Drive Shaft and Gear
202-0040	VR-2 Drive Shaft
705-0040	VR-2 Drive Yoke
308-0013	VR-2 Located Ring
202-0041	VR-3 Drive Shaft
202-0063	VR-4 Drive Shaft
705-0012	VR-4 Drive Yoke

MID:COM SMARTLINK SLS ELECTRONIC REGISTER



Features:

- Cab mounted ticket printer
- Elapsed time lockout
- Deliver from two registers at the same time
- Multi-Product calibration up to 9 products
- Standard RS232 Serial Port
- Will adapt to your tickets

Included Accessories:

- Power Cable – 14 ft. standard
- Register Cable – 35 ft. standard
- Mounting hardware, installation and operating instructions

Options:

- Electronic Temperature Compensation
- Cab Mounted Electro-Mechanical Totalizer
- Pedestal Mounting Kit
- Solenoid Security/Preset Valve
- Register Mounting Adapters

MODEL SLS OPTIONS



Electronic Temperature Compensation

Allows product to be delivered at a compensated value to adjust for the expansion and contraction of the product.



Cab Mounted Electro-Mechanical Totalizer

Provides a visual readout of the delivery on a resetable LCD totalizer.

(See page 34)



Solenoid Valve (Propane Meter) Model SV-101

3-way stainless steel valve control meter differential valve. Allows for preset volume deliveries of propane.

(See page 34)



Solenoid Valve 2” Two-Stage Model SV-104

“Soft closure” valve eliminates plumbing shock. Provides precise accuracy for preset deliveries of refined fuels.

(See page 30)



Solenoid Valve 2” Two-Stage (Brooks) Model BV-188

For use on refined fuel up to 150 psi. Allows for precise adjustable preset shutdown.

(See page 32)

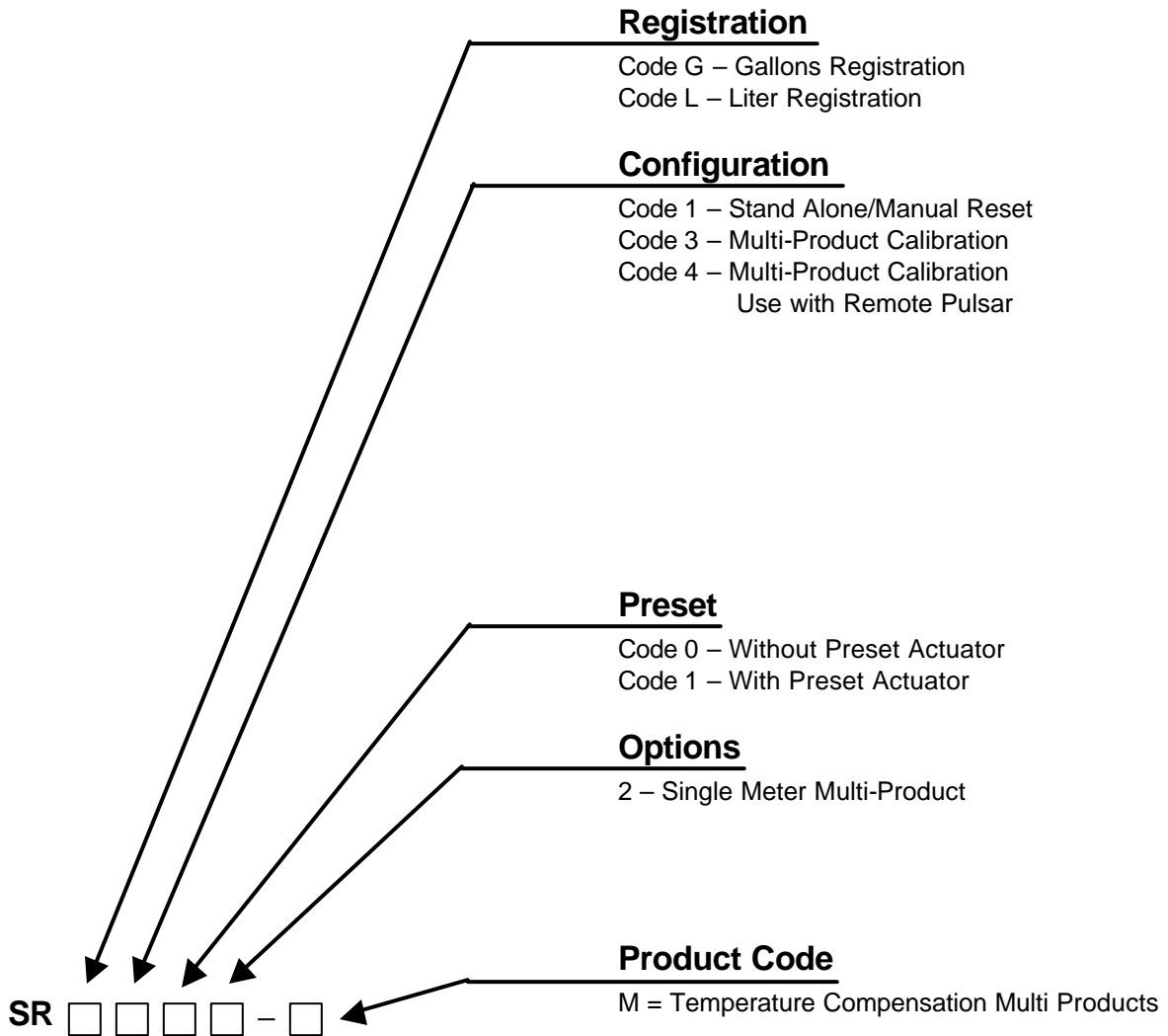


Register Mounting Adapters Models VR-1;2;3;4

Various adapters convert the standard MID:COM “Neptune” mounting to other meter types.

(See page 35)

SLS REGISTER HEAD NUMBERING SYSTEM



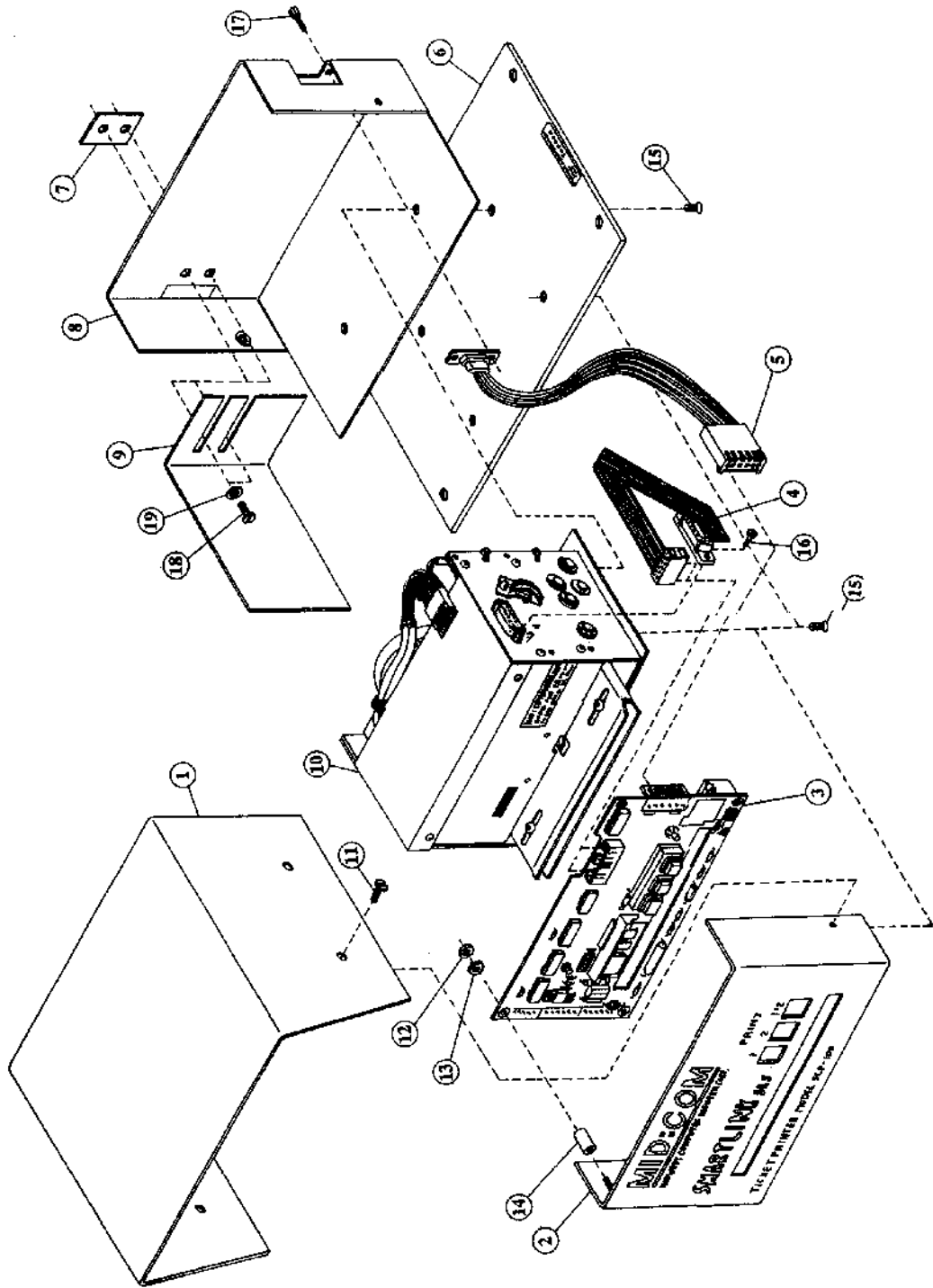
SMARTLINK SLS REGISTER SYSTEMS

MID:COM Part #	Description
908-0001	SLP/SRG302 Standard Register System
908-0002	SLP/SRG302-M Compensated Register System
908-0003	SLP/SRG402 Standard Register System (FPP Meter)
908-0004	SLP/SRG402 Standard Register System
908-0007	SLP/SRG312 Actuated Register System
908-0008	SLP/SRG312-M Compensated-Actuated Register System
908-0015	SLP/SRL302 (Litres) Standard Register System
908-0016	SLP/SRL302-M (Litres) w/ETVC and SV101 LPG Valve
908-0017	SLP/SRL302-M (Litres) w/ETVC and SV103 Valve
908-0018	SLP/SRL302-M (Litres) w/ETVC and SV104 Valve
908-0019	SLP/SRL302-M (Litres) Dual w/ETVC and SV103 Valves
908-0020	SLP/SRL302-M (Litres) Dual e.ETVC and SV104 Valves
908-0025	SLP/SRL302-M (Litres) w/ETVC and SV103A Valve
908-0026	SLP/SRL302-M (Litres) Dual w/ETVC and SV103A Valves

M = Temperature Compensation Multi-Product

- Product 1 = Propane
- Product 2 = Fuel Oil/Diesel
- Product 3 = Gasoline
- Product 4 = Lube Oil
- Product 5 = Methanol
- Product 6 = Anhydrous Ammonia
- Product 7 = Jet A
- Product 8 = Any
- Product 9 = Any

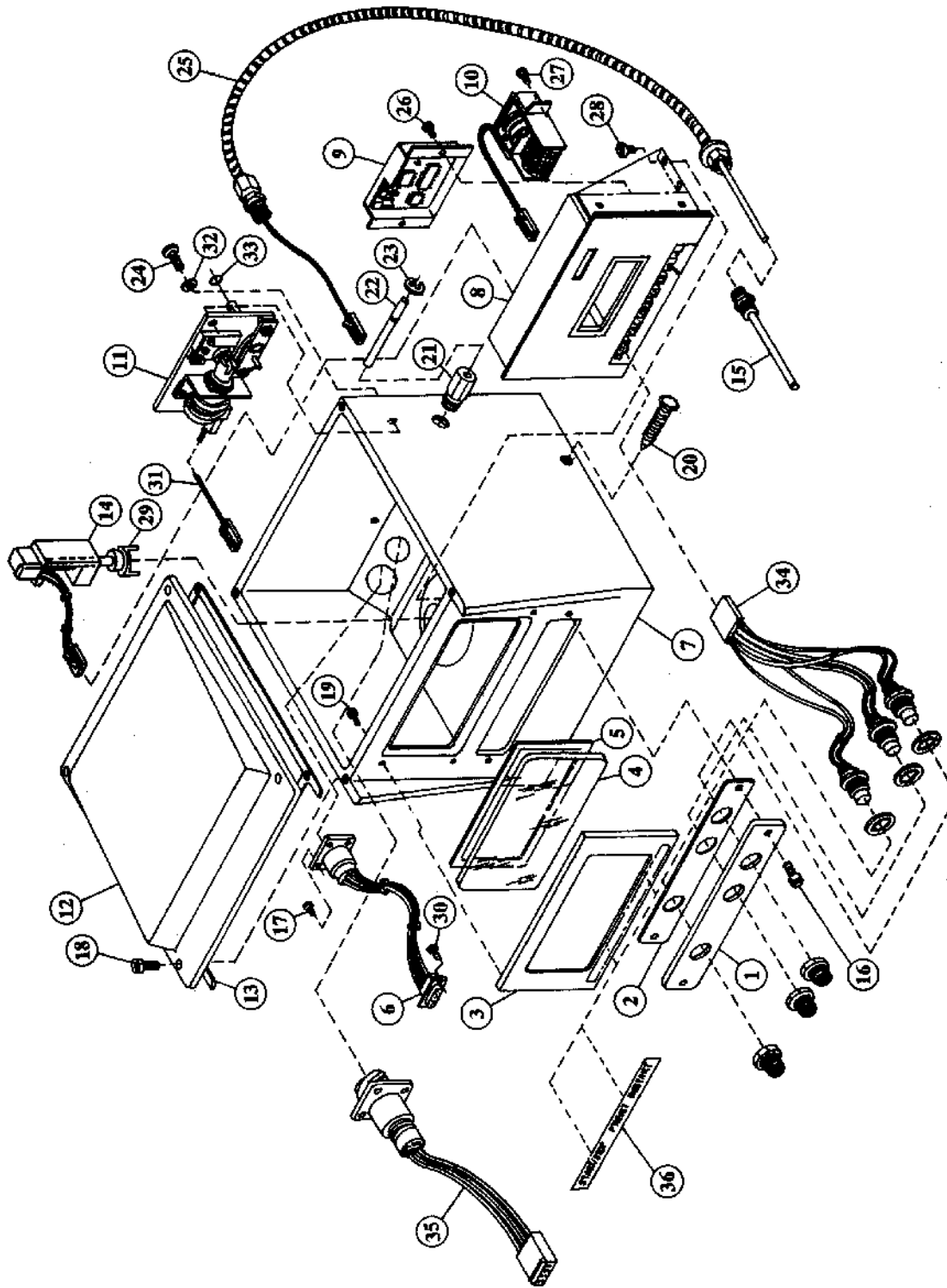
Above P/N's include: Cab mounted printer, Register(s) w/35 ft. cable, 14 ft. power cable, installation instructions and hardware, and valves where indicated.



SMARTLINK

Item #	MID:COM Part #	Description
1	201-0083	SLS Printer Cover
2	201-0081	SLS Front Panel
	208-0062	Smartlink Overlay
3	800-0048	SLS System Board
	707-0027	Sip Stick
4	703-0005	Printer Cable Harness
5	701-0071	SLS Serial Cable Assembly
6	201-0084	SLS Printer Base
7	201-0019	Cable Clamp Adapter
8	201-0082	SLS Back Panel
9	201-0085	SLS Cable Clamp
10	706-0002	Printer Assembly
11		Seal Screw
12	301-0001	6-32 x 1/4" Nut
13	303-0015	#6 INT Washer
14	305-0012	Aluminum Standoff
15	300-0078	6-32 x 3/8" Flat Head
16	300-0050	4-40 x 1/4" Binder Machine Screw
17	304-0015	4-40 Jack Screw Standoff
18	300-0027	6-32 x 3/8" Binder Machine Screw
19	303-0008	#6 Flat Washer
**	702-0042	SLS Power Cable

** Not Shown



SMARTLINK

Item #	MID:COM Part #	Description
1	202-0038	Calibrator Cover
2	206-0004	Calibrator Gasket
3	202-0037	Display Bezel
4	202-0034	Display Lens
5	206-0003	Lens Gasket
6	701-0001	Register Harness
7	200-0001	Register Casting
8	707-0028	SLS Register Module
9	707-0008	Compensator Module w/Probe
10	701-0035	Totalizer Assembly
11	703-0003	Mechanical Actuator
12	200-0001	Register Cover
13	206-0002	Cover Gasket
14	712-0004	Encoder Bracket Assembly
15	705-0021	Thermowell Assembly
16	300-0084	Seal Screw
17	300-0051	4-40 x 1/2" Screw
18	300-0084	Seal Screw
19	300-0007	6-32 x 7/16" Screw
20	202-0006	Mounting Bolt
21	202-0055	Actuator Tip Bushing
22	202-0018	Actuator Stop Rod
23	308-0008	1/4 "E" Ring
24	300-0060	1/4 -20 x 3/4" Actuator Bolt
25	701-0049	Temperature Probe Assembly
26	300-0043	6-32 x 3/16 Screw
27	300-0053	6-32 x 1/4" Screw
28	300-0056	8-32 x 3/8" Screw
29	705-0012	Drive Fork Assembly
30	300-0049	4-40 x 3/16 Screw
31	701-0048	Actuator Wire Harness
32	303-0034	Bonded Sealing Washer
33	203-0024	Actuator Shaft O-Ring
34	701-0070	Push Button Assembly
35	701-0068	Valve Wire Harness
36	208-0063	Button ID Label
**	702-0041	SLS Register Cable
**	702-0045	SLS Valve Cable

** Not Shown

MID:COM COMLINK



COMLINK is a streamlined, hand-held wand that reads an indestructible stainless steel identification “button” and transmits its unique serial number to the MID:COM 8000, the SMARTLINK, or other compatible devices via a radio link.

The COMLINK will identify either vehicle or domestic tank ID numbers providing automatic identification – speeding deliveries and eliminating errors.

Features:

- Compact tubular design
- Indestructible!
- Recessed activation button

Button Features:

- Virtually indestructible stainless steel!
- Reader powered
- Unlimited number of ID combinations
- Various mounting techniques

Included Accessories:

- Comlink Data Receiver
- Dipole antenna for maximum range
- Velcro strips for mounting
- Supplied output for visual or audio acknowledgement

Options:

- High profile stainless steel ID buttons
- Screw mounted button holders